



Base/Bracket Mounting



Tube Mounting



Accessories

- Tube mounting solution suitable for Ø 25 mm and 1/2" NPT tubes
- Removal of the lens only possible with tools
- Simple mounting

**i TECHNICAL SPECIFICATIONS:**

<b>Dimensions (Ø x Height):</b>	98 mm x 137 mm (Base/Bracket mounting) 98 mm x 200 mm (Tube mounting)
<b>Cable entry:</b>	Cable diameter 5-7 mm
<b>Housing:</b>	PC/ABS-Blend
<b>Lens:</b>	PC, transparent
<b>Connection:</b>	Screw free clamp mechanism max. 1.5 mm <sup>2</sup>
<b>Operating voltage:</b>	Max. 250 V for BA15d
<b>Bulb:</b>	Max. 15 W
<b>Duty cycle:</b>	100 % max. 15 W, 50 % max. 25 W
<b>Socket:</b>	BA15d

Bulb not included in assembly.

**🛒 ORDER SPECIFICATIONS:**

Fixing	Base/Bracket mounting	Tube mounting
Voltage	12-240 V	12-240 V
red	<b>826 100 00</b>	<b>826 110 00</b>
green	<b>826 200 00</b>	<b>826 210 00</b>
yellow	<b>826 300 00</b>	<b>826 310 00</b>
clear	<b>826 400 00</b>	<b>826 410 00</b>
blue	<b>826 500 00</b>	<b>826 510 00</b>

**🏠 ACCESSORIES:**

Plastic bracket for wall mounting	<b>975 826 05</b>
Wire guard, galvanised, only for base mounting	<b>975 826 03</b>
Tube Ø 25 mm, all anodized aluminium, 100 mm long	<b>975 845 10</b>
Base for tube, plastic	<b>975 840 90</b>
Base for tube, metal	<b>975 840 91</b>

Bulb BA15d, 15 W, total length 48 mm	24 V <b>955 826 35</b>	230 V <b>955 826 38</b>
--------------------------------------	---------------------------	----------------------------

**📐 TECHNICAL DIAGRAMS:**

see page 316

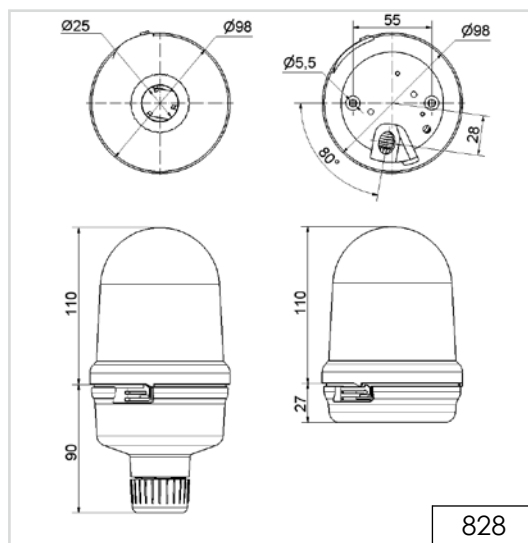
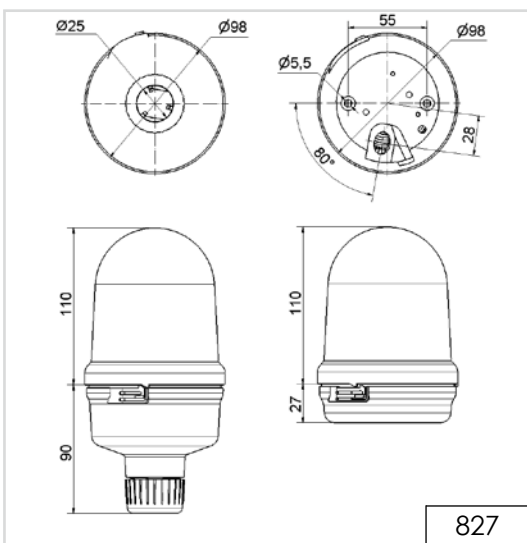
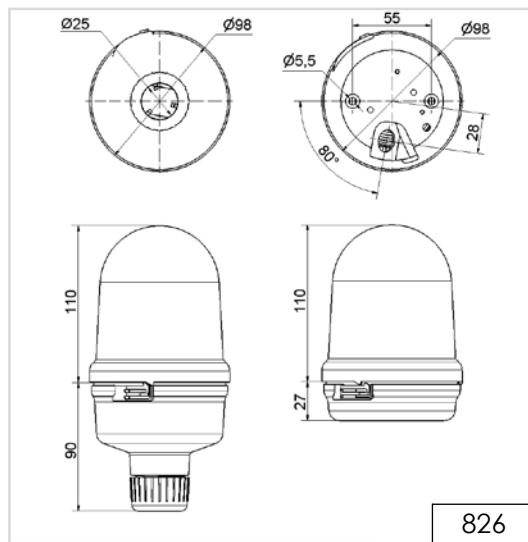
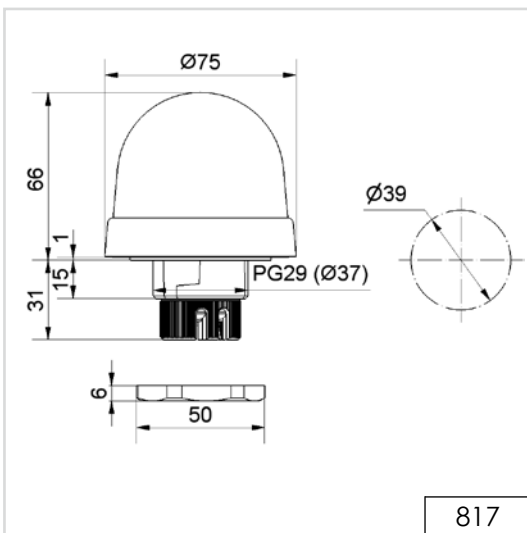
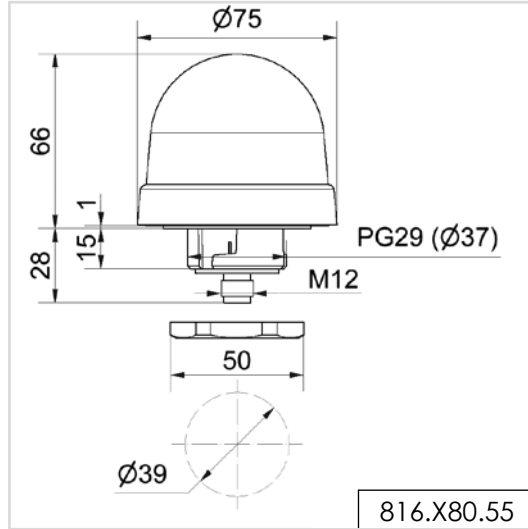
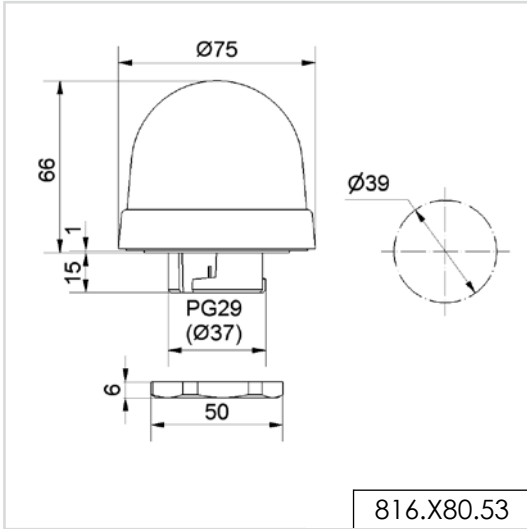
**Sizes of Permanent Beacons**



Base/Bracket mounting      See note on page 347      Base/Bracket mounting      Tube mounting

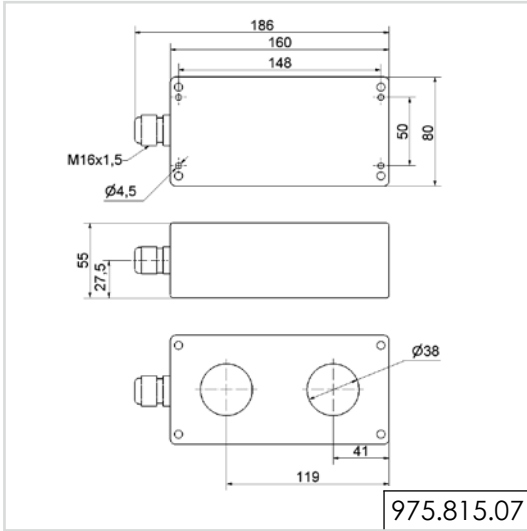


# Technical Diagrams

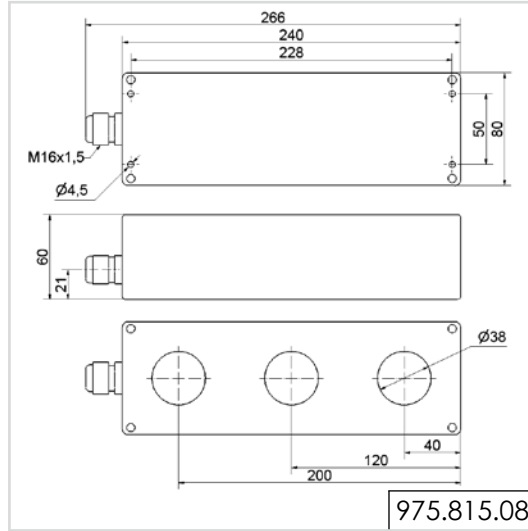


Technical Diagrams

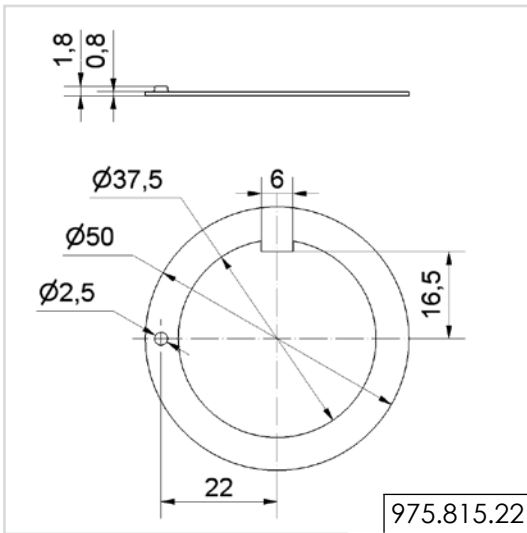
# Technical Diagrams



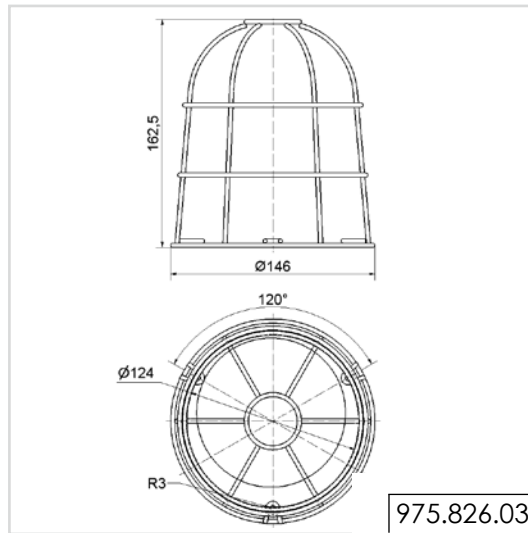
975.815.07



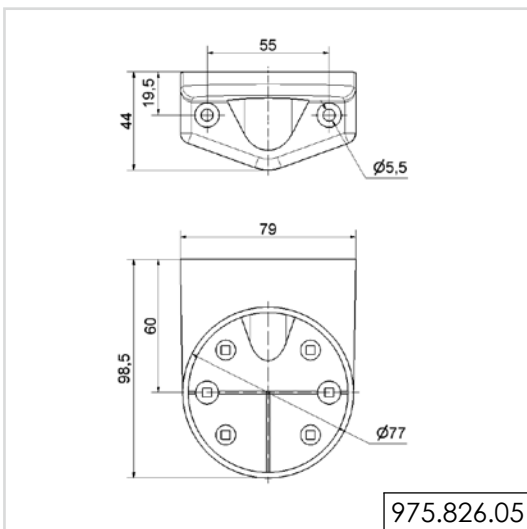
975.815.08



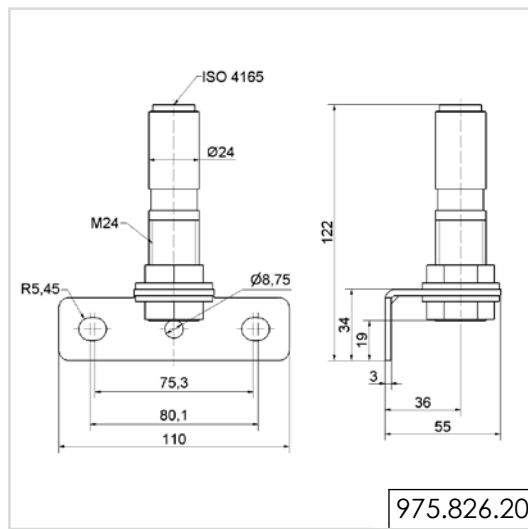
975.815.22



975.826.03



975.826.05



975.826.20

Technical  
Diagrams